



**DISTANCE LEARNING PACKET**

**6<sup>TH</sup> GRADE**

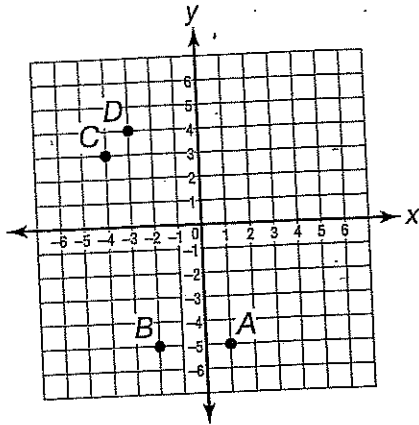
**MATH**



- NO CALCULATOR -
  - SHOW ALL WORK -
- Don't write on it  
FOR A GRADE

DAY 11

Use the coordinate plane for questions 1-3.

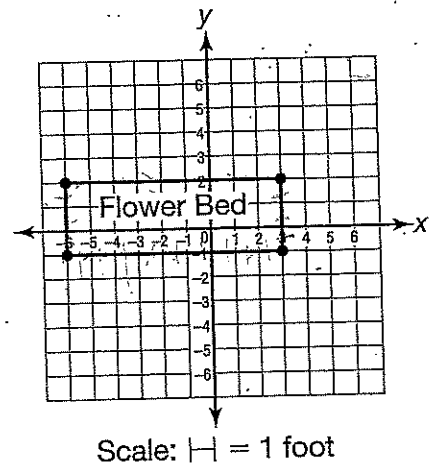


1. Which point is located at  $(-2, -5)$ ?
2. Which point is located in quadrant IV?
3. Which point is located at  $(-4, 3)$ ?
4. What is  $72,450 \div 25$ ?  
 A. 2,888  
 B. 2,892  
 C. 2,898  
 D. 2,902
5. Mr. Palmer had \$5,675.68 in his savings account. He then deposited \$2,168.79 more in his account. How much is in his savings account now?

6. What is the greatest common factor (GCF) of 25 and 35?
7. A marathon is a race with a distance of 26.2 miles (mi). Lauren is competing in a marathon and has run 10.75 mi so far. How many more miles does she need to run to complete the marathon?  
 A. 8.13 mi  
 B. 15.27 mi  
 C. 15.45 mi  
 D. 15.55 mi

8. What is the least common multiple (LCM) of 2 and 6?

9. The coordinate plane below shows a rectangular flower bed that Lucas will build. What will be the perimeter of the flower bed?

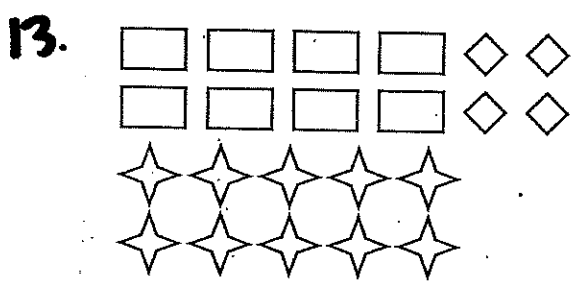
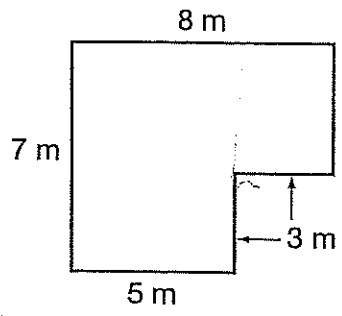


10. What is the GCF of 24 and 36?

11. Evan bought two plants. He decided to water his first plant every 3 days and his second plant every 4 days.

If he watered both plants on June 1, how many days passed before he watered both plants on the same day again? Show or explain your work.

12. What is the area of his back yard?



In simplest form, what is the ratio of rectangles to stars?

14. Which value of  $x$  will make these ratios equivalent?

$$\frac{25}{30} = \frac{5}{x}$$

- A. 20
- B. 10
- C. 6
- D. 5

16. What is  $2,520 \div 36$ ?

- A. 7
- B. 70
- C. 170
- D. 210

17. Mr. Farmer has a greyhound that can run 37.35 miles per hour. He also has a quarter horse that can run 47.5 miles per hour. How much faster can the quarter horse run than the greyhound?

- A. 9.2 miles per hour
- B. 10.15 miles per hour
- C. 11.45 miles per hour
- D. 11.85 miles per hour

18. Which list orders the integers from least to greatest?

- A. -5, 3, -2, 4
- B. -2, 3, 4, -5
- C. -5, -2, 3, 4
- D. -2, -5, 3, 4

19. Eggs are packed 12 to a carton. There are 7,260 eggs to be put in cartons. How many cartons are needed for the eggs?

15. In the 2010 Winter Olympics 500-meter mens' speed skating finals, the gold medalist's best time was 40.77 seconds and the silver medalist's best time was 40.821 seconds. How many seconds faster was the gold medalist's best time than the silver medalist's best time?

20. What is the LCM of 6 and 10?

**DAY 12**  
STUDY GUIDE TEST # 16

Determine whether each question is a statistical question or not. Write yes or no.

1. What are the weights of all the wrestlers on the team?
  2. How old do you have to be to drive a car?
  3. How tall is the shortest player on the basketball team?
  4. What grades did the students in Mr. Sheffield's class receive on TEST # 15?
  5. What are the ages of all the teachers at CMS?
- 

6. The following are Jennifer's math test grades: 86, 81, 43, 90, 90, and 81

Find the: MEAN \_\_\_\_\_ MEDIAN \_\_\_\_\_ RANGE \_\_\_\_\_  
MODE \_\_\_\_\_ OUTLIER \_\_\_\_\_

---

7. The following are Drake's dart scores for his first 5 games.

Game # 1	78
Game # 2	87
Game # 3	94
Game # 4	86
Game # 5	78
Game # 6	?

What score does Drake have to make in game # 6 to have a mean (average) score of 83?

8. The following are the number of points Kobe Bryant scored in his first 8 games this season.

26, 32, 2, 32, 26, 28, 30, 24

Find the: MEAN \_\_\_\_\_ MEDIAN \_\_\_\_\_ MODE \_\_\_\_\_  
RANGE \_\_\_\_\_ OUTLIER \_\_\_\_\_

9.

Last week Blaze's rode his bike the following distances.

Monday: 56 miles  
Tuesday: 53 miles  
Wednesday: 48 miles  
Thursday: 42 miles  
Friday: ?

How far does Blaze need to ride his bike on Friday to have a mean (average) distance of 49 miles for the week?

10.

10, 19, 49, 20, 0, 38, 83, 97

mean: \_\_\_\_\_

median: \_\_\_\_\_

mode: \_\_\_\_\_

11.

45, 55, 30, 101, 90, 30, 90

mean: \_\_\_\_\_

median: \_\_\_\_\_

mode: \_\_\_\_\_

12.

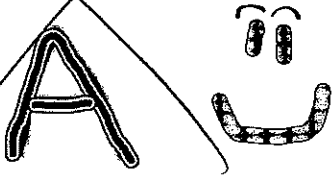
14, 17, 15, 23, 10, 23

mean: \_\_\_\_\_

median: \_\_\_\_\_

mode: \_\_\_\_\_

~~Homework  
PART  
A~~



~~GEORGIA MILESTONES REVIEW~~

Things you need

- \* paper
- \* pencil
- \* calculator
- \* a smile 😊
- \* a positive attitude
- \* EFFORT

WARM-UP DAY 2

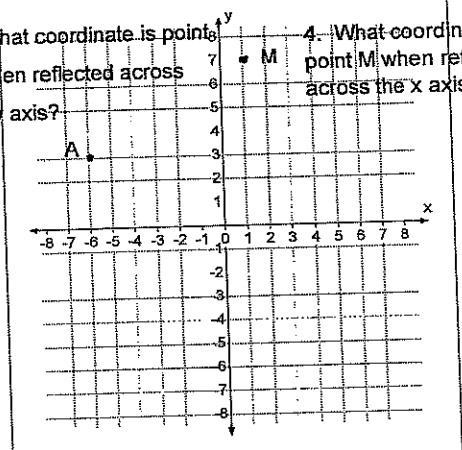
1. Which quadrant or axis does the following points fall?  
 A. (-2, 8) \_\_\_\_\_ B. (0, 3) \_\_\_\_\_ C. (-4, -10) \_\_\_\_\_  
 D. (9, 0) \_\_\_\_\_ E. (12, -3) \_\_\_\_\_ \* F. (0, 0) \_\_\_\_\_

2. Is each expression equivalent to 100 for the given value of the variable? Select YES or NO.

A. $3b + 20$	for $b = 30$	YES or NO
B. $4x^2$	for $y = 5$	YES or NO
C. $(t - 2)^2$	for $t = 12$	YES or NO
D. $\frac{1}{2}(5c + 5)$	for $c = 39$	YES or NO

3. What coordinate is point A when reflected across the y axis?

4. What coordinate is point M when reflected across the x axis?



~~Unit 3: Expressions  
Unit 4: Equations and Inequalities~~

1. Adam is  $n$  years old. Mary Beth is  $3n + 4$  years old. If Adam is 9 years old, how old is Mary Beth?

2. Which expression is equivalent to  $m + m + m + m$ ?  
 A.  $m + 4$       B.  $4m$       C.  $m^4$

3. Use the distributive property to write an equivalent expression for the following:  $5(4n - 3)$   
 Use the following to name underline part: variable, term coefficient.

4.  $16 - 3m + f$       5.  $8b + 12$       6.  $18 - 7n$

7. Evaluate:  $6(w + 7) - 5n$        $w = 2$        $n = 4$

8. Write an expression: 4 times a number less than 12

**GEORGIA MILESTONES REVIEW**

Things you need

- \* paper
- \* pencil
- \* calculator
- \* a smile 😊
- \* a positive attitude
- \* EFFORT

**WARM-UP DAY 1**

1. LCM of 9 and 12

---

The students in Marycille's class made this scale drawing of the school field.

Scale: 1 cm = 30 meters

Field

2 cm

4 cm

2. What is the area of the field in square meters?

---

3. William earns \$15 for every 2 hours he spends mowing lawns for his neighbors. Last week, William spent 4.5 hours mowing lawns. How much money did he earn?

**Unit 1: Number System Fluency**

**Unit 2: Rate, Ratio and Proportional reasoning**

1. Which expression equivalent to  $36 + 24$ .  
A.  $6 + 4$  B.  $4(6 + 4)$  C.  $4(6 + 6)$  D.  $6(6 + 4)$

---

2.  $3/6 \div 1/4$

---

3. Charlie is growing vegetables in planters. He has 4 bags of soil and uses  $2/3$  of a bag of soil to fill each planter. How many planters can he fill?

---

4. What is the GCF of 48 and 72?

---

5. Sam's father bought a new car for \$26,304. He will pay for it in 24 equal monthly payments. How much will he pay each month?

**Without Calculator**

6. For a fundraiser, the 6th graders have 288 bags of popcorn to sell. There are 3 sixth grade classes. If each class sells an equal number of bags, how many bags of popcorn does each class sell?

---

7. The Water Falls trail is a total of 4.8 miles. You and your family have hiked 1.569 miles. How many more miles do yall have to hike to complete the trail?

---

8. On a field trip, a 6th grade class traveled 21,786 kilometers by train, 8 kilometers by bus and 3.6 kilometers by car. How far did they travel altogether?

---

9. How far did they travel in meters on the field trip?

---

10. Irene earns \$7.20 per hour for babysitting. How much will she earn if she baby sits for 4.75 hours?

11. Fran has 18 paperback books and 24 hardcover books. What is the ratio of hardcover books to all her books?

---

12. On in-line skates Karlee skates 4 miles in 20 minutes. At this speed, how long would it take her to skate 12 miles?

---

13. Dylan wants to fill his backyard pool. His garden hose delivers 40 gallons of water in 5 minutes. How many gallons of water will be in the pool after 1 hour?

---

14. At Trickum Middle School, 60% of the 800 students participate in athletics. How many students participate in athletics?

---

15. Rury has read 147 pages of a book. He has completed 70% of the book. How many more pages does he need to read to finish the book? **THINK!!!**



**DAY 14**

1. Charlie's eraser has a mass of 20 grams. How many kilograms are in 20 grams?  
A. 0.2 kg      B. 0.02 kg      C. 2,000 kg      D. 0.002 kg
2. Steven goes to the grocery store and is looking at a winter squash. It has a mass of 1.8 kilograms. How many grams is the winter squash?  
A. 1.8 g      B. 180 g      C. 1,800 g      D. 0.1800 g
3. There were 25 questions on the math test. Stuart got 21 correct. What percent did he get correct?  
A. 21%      B. 4%      C. 84%      D. 92%
4. John rode 2.87 kilometers on his bike. His sister Terri rode 3,200 meters on her bike. Who rode the farthest and how much farther did they ride in kilometers?  
A. John 0.33 km      B. Terri 2.55 km      C. John 2.55 km      D. Terri 0.33 km
5. Makayla is measuring two line segments. The first line segment is 30 cm long. The second line segment is 500 mm long. **In meters**, how long are the two line segments together?  
A. 8 m      B. 0.8 m      C. 80-m      D. 0.08 m
6. In 1998, people Prague, Czech Republic used Legos to build a millipede that was 1,895 feet long. How many yards long was the millipede?  
A. 18 yards 95 ft.      B. 157 yards 11 ft.      C. 189 yards 5 ft.      D. 631 yards 2 ft.
7. Fairleigh ran 3 miles in 18.46 minutes and Melanie ran 3 miles in 20.2 minutes. How much longer did it take Melanie to run 3 miles than Fairleigh?  
A. 16.44 min      B. 38.66 min      C. 1.74 min      D. 1.644 min
8. Of the 60 students in Mr. Squarepants class, 35% play in the marching band. How many of Mr. Squarepants students play in the marching band?  
A. 21      B. 39      C. 18      D. 35
9. Mason bought 5.6 meters of rope. The rope cost \$0.85 per meter. What was the cost of the rope?  
A. \$6.45      B. \$4.75      C. \$4.76      D. \$5.35
10. At Jada's Sport Store 4 basketballs cost \$50.24. At James' Sport Store 12 basketballs cost \$147.84. Which store is offering the better deal and how much do you save per basketball?  
A. Jada's Sport Store and save \$0.24 per basketball.  
B. James' Sport Store and save \$0.34 per basketball.  
C. Jada's Sport Store and save \$0.34 per basketball.  
D. James' Sport Store and save \$0.24 per basketball.

**11.**

Which value of  $x$  will make these ratios equivalent?

$$\frac{25}{30} = \frac{5}{x}$$

- A. 20      C. 6  
B. 10      D. 5

**12.**

24 is 16% of what number?

- A. 0.384  
B. 15  
C. 38.4  
D. 150

type of music and number of songs that Matt has on his MP3 player.

Type of Music	Number of Songs
Rock	25
Country	10
Hip-hop	40
Classical	15
Alternative	10

Is the statement true? Select Yes or No.

- A. The ratio of rock songs to hip-hop songs is 25 to 40.      Yes    No
- B. The ratio of country songs to alternative songs is 1 to 10.      Yes    No
- C. The ratio of classical songs to rock songs is 25 to 15.      Yes    No
- D. The ratio of rock songs to total songs is 25 to 100.      Yes    No

**14.**

Damon earns \$12 per hour mowing lawns and \$9 per hour walking dogs in his neighborhood.

Complete the tables showing Damon's earnings for each job.

Mowing Lawns	
Hours	Earnings (in dollars)
1	
2	
3	
4	
5	

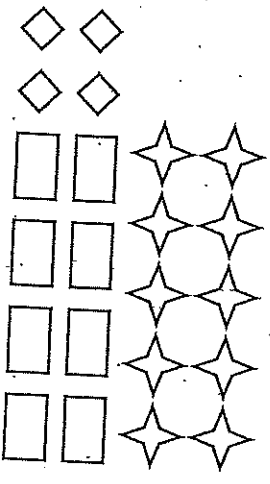
Dog Walking	
Hours	Earnings (in dollars)
1	
2	
3	
4	
5	

**15.**

Which fraction is equal to 30%?

- A.  $\frac{3}{100}$
- B.  $\frac{1}{30}$
- C.  $\frac{3}{10}$
- D.  $\frac{1}{3}$

**16.**



In simplest form, what is the ratio of rectangles to stars?

- A. 1:2
- B. 4:5
- C. 2:1
- D. 5:2

**17.**

435 is 15% of what number?

- A. 6.525
- B. 65.25
- C. 2,900
- D. 29,000

**18.**

A recipe for 4 loaves of bread uses 3 tablespoons of honey. How much honey is needed for 24 loaves of bread?

- A. 6 teaspoons
- B. 8 teaspoons
- C. 12 teaspoons
- D. 18 teaspoons

WARM  
UP

Warm- 1


1. What percent is shaded?

---

2.  $3\frac{3}{4} + 1\frac{1}{2}$

---

3. Drew is planting a rectangular garden. The length will be 12 feet. He wants the area to be more than 60 square feet. What are the possible widths of Drew's garden?

A.

C.

B.

D.

4.

Find the area of the trapezoid.

---

5. Solve:  $m - 1\frac{1}{2} = 3\frac{3}{4}$

6. Find the volume.

$V = lwh$

Mack's Market and Gary's Garden each sell watermelon by the pound. At Gary's Garden, a 3-pound watermelon cost \$1.26. At Mack's Market, a 5-pound watermelon cost \$2.25.

7. What is the cost per pound of watermelon at Gary's Gardens?
8. How much would a 6-pound watermelon cost at Mack's Market?
9. How much would you save by buying a 12-pound watermelon at the store offering the better deal?

10.

190, 190, 186, 182, 180, 200

Mean \_\_\_\_\_

Median \_\_\_\_\_

Mode \_\_\_\_\_

Range \_\_\_\_\_

IQR \_\_\_\_\_

Prices for AA batteries

Item	# per box	price per box
Duracell	4	\$4.75
Energizer	8	\$9.83
Rayovac	2	\$1.56

11. Based on this chart, what is the cost to buy 8 of each type of battery?



12. How much wrapping paper is needed to wrap this box (cube)?

8 in

13. There are 90 students going to the dental van today. 36 are girls. Write a ratio of girls to boys.

14. What quadrant is (3,-4) located.

15. If (3,-4) is reflected over the x-axis, what is the new ordered pair?

16. Write all the factors of 16.

17. What is the LCM of 9 and 6.

18. What is the GCF of 36 and 54.

19. Evaluate:  $4(3x + y^3) - 8$   $x = 5$   $y = 2$

20. Ivan and Jeff buy a package of 8 pens for \$4.00. Ivan wants 5 of the pens and Jeff wants 3. How much should each pay?


Grade the Take-Home Test

Study Guide

Practice for Unit 7

DAY 16

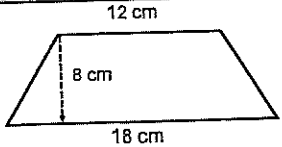
GA  
MILESTONES  
REVIEW

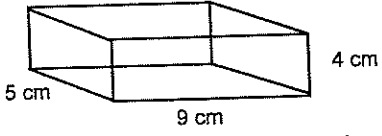


1. Selena has sold 60% of the 40 candy bars she is supposed to sell for her volleyball team. How many candy bars does she have left to sell?
2. Pedro jogs every 4 days and Logan jogs every 6 days. If they jog together today, in how many days will they jog together again?
3. The width of the door is 36 inches. Given that 1 inch = 2.54 cm, what is the width of the door to the nearest whole cm?  
A. 89 cm   B. 90 cm   C. 91 cm   D. 92 cm
4.  $12\frac{1}{2} \div \frac{5}{7}$

5. Hayden is making flower arrangements. She has 24 roses and 18 daisies. Each arrangement must have the same number of roses and daisies. She wants to use all the flowers. What is the greatest number of arrangements she can make?
6. Put the following on order from greatest to least:  
9.84, -43, -79, 24, 0, -18, -4.58
7. Wayne has a sandwich that is  $\frac{3}{4}$  yards long. He will cut it into pieces that are each  $\frac{1}{12}$  yards long. How many pieces will he have after he cuts the sandwich?
8. Use the distributive property to write an equivalent expression for the following:  $4(3m + y)$

- Label the underline part using the following vocabulary: **term, coefficient, variable, or constant**
9. 4m + 9
  10. 9n - 12b
  11. 22 + 3c
  12. 8x - 15
  13. Write an expression for the following:  
**4 more than 8 times a number**
  14. Simplify the following:  
 $2 + 13n + 5 - 2n$

15. Write and graph an inequality for the following. **When the temperature drops below 17 degrees Celsius the heater will turn on.**
16.  Find the area!
17. Find the area of a triangle with a base of 19 inches and a height of 8 inches.  $A = \frac{1}{2}bh$
18. What is the volume of a cube with one edge measuring 2.5 inches?

19. A child's sandbox is 5 feet wide, 4 feet long and 3 feet deep. John fills the sandbox so that the sand is  $2\frac{1}{2}$  feet deep. What is the volume of the sand in the sandbox?
20.  What is the surface area of the rectangular prism?
21. 134, 128, 124, 122, 128, 120  
mean \_\_\_ median \_\_\_ mode \_\_\_ range \_\_\_ IQR \_\_\_

Name \_\_\_\_\_

**Review**  
**4**

## Multiplying with Decimals

Find  $4.3 \times 2.7$ .

<p><i>Multiply as you would with whole numbers.</i></p> $\begin{array}{r} 2 \\ 4.3 \\ \times 2.7 \\ \hline 301 \\ 860 \\ \hline 1161 \end{array}$	<p><i>Count the number of decimal places in both factors. The total is the number of decimal places in the product.</i></p> $\begin{array}{r} 4.3 \leftarrow 1 \text{ decimal place} \\ \times 2.7 \leftarrow + 1 \text{ decimal place} \\ \hline 11.61 \leftarrow 2 \text{ decimal places} \end{array}$
---------------------------------------------------------------------------------------------------------------------------------------------------	----------------------------------------------------------------------------------------------------------------------------------------------------------------------------------------------------------------------------------------------------------------------------------------------------------

Find each product.

1. 
$$\begin{array}{r} 14 \\ \times 8.8 \\ \hline 112 \\ 1120 \end{array}$$

2. 
$$\begin{array}{r} 1.6 \\ \times .9 \end{array}$$

3. 
$$\begin{array}{r} 0.4 \\ \times 3.2 \end{array}$$

4. 
$$\begin{array}{r} 0.05 \\ \times 0.3 \end{array}$$

5. 
$$\begin{array}{r} 2.15 \\ \times 8.3 \end{array}$$

6. 
$$\begin{array}{r} 3.3 \\ \times 0.12 \end{array}$$

7. 
$$\begin{array}{r} 0.51 \\ \times 4.2 \end{array}$$

8. 
$$\begin{array}{r} 1.35 \\ \times 13 \end{array}$$

9.  $23 \times 0.47 =$  \_\_\_\_\_

10.  $0.9 \times 5 =$  \_\_\_\_\_

11.  $168 \times 2.25 =$  \_\_\_\_\_

12.  $0.8 \times 0.11 =$  \_\_\_\_\_

13.  $20 \times 20.2 =$  \_\_\_\_\_

14.  $4.9 \times 0.3 =$  \_\_\_\_\_

15. A roll of paper towels contained 250 sheets. Each sheet was 8.75 inches long. How long was the roll?  
\_\_\_\_\_

16. Tania bought 3 new sweaters. Each sold for \$19.99. How much did she spend?  
\_\_\_\_\_

Warm - Up Day 4

1. Find the area of the polygon.

---

2. 25, 17, 16, 30, 14, 25    median \_\_\_\_ IQR \_\_\_\_

3.  $5\frac{1}{2} \div \frac{3}{4}$

---

4. Put the following in order from least to greatest.  
-8.2, 6, -3.5, 8.2, -5

---

5. Evaluate:  $4(2y - 4x) - 1$      $x = \frac{1}{2}$     $y = 3$

---

6. Put the following in order from greatest to least.  
- $\frac{3}{4}$ , -1,  $5\frac{1}{4}$ , 2

---

7. What are the coordinates when point A (4,-8) is reflected over the x-axis

~~Unit 6: Statistics  
and  
Unit 7 Rational #'s~~

Item 16 1. Put data in order from least to greatest.  
This bar shows the number of math problems solved each week by a sixth-grade student.

23, 18, 26, 20, 21, 16, 20, 25, 27

Sketch the data on a number line.

Item 17 2.

The dot plot shows the number of times 14 students have attended a sporting event.

Number of Sporting Events Attended by Students

What number is the median of the data set?

4. Evan takes guitar lessons. Each week, he reports to his teacher how many hours he practiced. The hours the past six weeks are 7, 10, 7, 8, 12, and 10. Find the following.

Mean \_\_\_\_\_ Median \_\_\_\_\_

Mode \_\_\_\_\_ Range \_\_\_\_\_

Name \_\_\_\_\_

**Review**  
**2**

# Adding and Subtracting Decimals

Find  $1.7 + 2.45$ .

Find  $36.57 - 4.6$ .

<p><i>Line up the decimal points.</i></p> $\begin{array}{r} \downarrow \quad \uparrow \\ 1.7 \quad 1.70 \leftarrow \text{Write zeros to} \\ + 2.45 \quad + 2.45 \quad \text{show place value.} \\ \hline 4.15 \end{array}$ <p style="text-align: center;"><math>\uparrow</math> Place decimal point in answer.</p>	<p><i>Line up the decimal points.</i></p> $\begin{array}{r} \downarrow \quad \begin{matrix} 5 & 15 \\ \downarrow & \downarrow \end{matrix} \\ 36.57 \quad 36.57 \leftarrow \text{Write zeros to} \\ - 4.6 \quad - 4.60 \quad \text{show place value.} \\ \hline 31.97 \end{array}$ <p style="text-align: center;"><math>\uparrow</math> Place decimal point in answer.</p>
------------------------------------------------------------------------------------------------------------------------------------------------------------------------------------------------------------------------------------------------------------------------------------------------------------------------	--------------------------------------------------------------------------------------------------------------------------------------------------------------------------------------------------------------------------------------------------------------------------------------------------------------------------------------------------------------------------------

Find each sum or difference.

1. 
$$\begin{array}{r} \downarrow \\ 2.65 \\ + 13.30 \\ \hline \end{array}$$

2. 
$$\begin{array}{r} \downarrow \\ 14.10 \\ - 3.05 \\ \hline \end{array}$$

3. 
$$\begin{array}{r} 744 \\ + 36.2 \\ \hline \end{array}$$

4. 
$$\begin{array}{r} 9 \\ - 0.6 \\ \hline \end{array}$$

5. 
$$\begin{array}{r} 8.97 \\ + 66 \\ \hline \end{array}$$

6. 
$$\begin{array}{r} 100 \\ - 0.22 \\ \hline \end{array}$$

7. 
$$\begin{array}{r} 6.8 \\ + 237.29 \\ \hline \end{array}$$

8. 
$$\begin{array}{r} 0.5 \\ - 0.23 \\ \hline \end{array}$$

9.  $15.4 - 8 = \underline{\hspace{2cm}}$

10.  $3 - 2.54 = \underline{\hspace{2cm}}$

11.  $1.34 + 4.1 = \underline{\hspace{2cm}}$

12.  $133.01 - 5.6 = \underline{\hspace{2cm}}$

13.  $448 + 1.75 + 80.3 = \underline{\hspace{2cm}}$

14.  $12.3 + 0.61 + 100 = \underline{\hspace{2cm}}$

15. On the 3-days of their vacation, the Davis family traveled 417 mi, 45.3 mi, and 366.9 mi. How far did they travel all together?

\_\_\_\_\_

16. Etta bought a calculator for \$15. Glenn found the same model for \$9.79. How much more did Etta pay than Glenn did?

\_\_\_\_\_



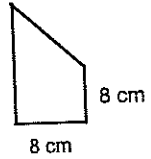


DAY 18

March 06, 2020

GA MILESTONES REVIEW ABCD.notebook

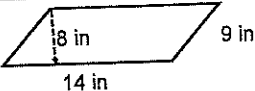
1. Mitch drew this quadrilateral. What is the area of the quadrilateral?



A. 28 sq cm    C. 96 sq cm  
B. 80 sq cm    D. 128 sq cm

---

2. Find the area.



$A = bh$

---


3. Find the area of a triangle with a base of 13 inches and a height of 4 inches.  $A = \frac{1}{2}bh$

---

4. Find the area of a rectangle with a length of  $5\frac{1}{2}$  inches and a width of  $1\frac{1}{4}$  inches.  $A = lw$

Item 14  
Consider this rectangular prism.


5. As a class



How many  $\frac{1}{2}$ -unit cubes are needed to fill the rectangular prism?

A. 8  
B. 16  
C. 32  
D. 64


6. How much wrapping paper is needed to wrap this present? **CUBE**



7 in

---


7. How much water is needed to fill the fish tank?



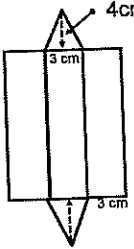
$V = lwh$

---

8. Find the volume if one cube has a volume of  $\frac{1}{8}$  cubic cm.



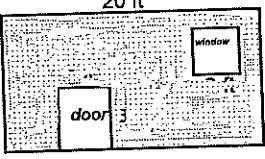
9. name the 3-D figure



12 cm

---

10. Find the surface area of the 3-D figure.



20 ft

14 ft

~~HOMESCHOOL PART C~~

~~GEORGIA MILESTONES REVIEW~~

Things you need

- \* paper
- \* pencil
- \* calculator
- \* a smile 😊
- \* a positive attitude
- \* EFFORT

9. Which value for  $y$  makes the inequality true? Circle all that apply.  $2y > 14$   
 A. 3    B. 9    C. 14    D. 7    E. 6

---

10. Write an equivalent expression for the following:  
 $48m + 72$     Hint: GCF

---

11. Solve:  $m + 19 = 37$

---

12. Solve:  $12n = 84$

---

13. Three friends share a bag of balloons. There are 48 balloons in the bag. If they share equally, how many balloons does each friend get?

---

14. The product of 9 and a number is at least 72.  
 Write, solve and graph the inequality.

15. The drama club is selling tickets for their play. The club has sold 25 tickets so far. The theatre seats 65 people. Write and solve an inequality. Then graph it.

# dogs	1	2	3	4	9
\$ earnings	15	30	45	60	?

*Kimberly charges \$15 to walk one dog*

16. Write an equation for the table.

17. The \_\_\_\_\_ is the independent variable.

18. The \_\_\_\_\_ is the dependent variable.

19. How much will she earn if she walks 9 dogs?

~~Homework~~

~~PART~~

~~8~~    ~~11~~

~~GEORGIA MILESTONES REVIEW~~

~~Things you need~~

- ~~\* paper~~
- ~~\* pencil~~
- ~~\* calculator~~
- ~~\* a smile 😊~~
- ~~\* a positive attitude~~
- ~~\* EFFORT~~

Warm - Up    DAY 3

1. Look at each expression. Is it equivalent to  $24 + 30$ ? Select all that apply.  
 A.  $5(4 + 6)$     B.  $3(8 + 10)$     C.  $6 \times 4 + 6 \times 5$     D.  $2 \times 12 + 2 \times 15$

---

2. The sum of a number and 13 is less than 18.  
 \* Write an inequality  
 \* Solve the inequality  
 \* Graph the inequality on a number line

---

3. 33, 25, 40, 28, 32, 28    mean \_\_\_\_ median \_\_\_\_ IQR \_\_\_\_

~~Unit 5: Area and Volume~~

DAY 19

Study Guide Test # 1

1. Circle the number divisible by 3 and 9. 312, 93, 207, 29

2. Circle the number that is odd and divisible by 5. 80, 52, 100, 75

Find the GCF of each pair of numbers.

3. 5, 20

4. 9, 24

5. 18, 42

6. 24, 40

7. 8, 27

8. 24, 32

Find the LCM of each pair of numbers.

9. 9, 12

10. 6, 8

11. 12, 15

12. Gay and Sherrie are getting their nails done today. Gay gets her nails done every 6 days and Sherrie get hers done every 9 days. In how many days will Gay and Sherrie get their nails done on the same day again?

13. What kind of number is 17? Prime or Composite

Use the distributive property to express each sum with the GCF factored out.

14.  $45 + 30$

15.  $16 + 28$

16.  $32 + 56$

17.  $24 + 18$

18. Tristan has 45 apples and 20 pears that he is putting into a gift basket. Each basket will have the same number of apples and pears. What is the greatest number of baskets Tristan can make with no fruit left over?

19. At The Piggly Wiggly, hot dogs are sold in packages of 12 and buns are sold in packages of 8. What is the least number of hot dogs and buns Carly can buy to have an equal number of each?

20. Write all the factors of 32. (hint: rainbow method)

21. Which of the following is divisible by 6? **56, 84, 92, 76**

22. What is the LCM of 8 and 9?

23. Which group has only prime numbers in it?

A. 5, 7, 9, 11

C. 2, 11, 13, 17

B. 2, 3, 11, 15

D. 13, 17, 19, 21

24. Which of the following show the distributive property for  $(24 + 36)$

A.  $6(4 + 8)$

B.  $12(2 + 3)$

C.  $3(8 + 9)$

D.  $4(2 + 3)$

25. Circle all the composite numbers. **2, 7, 15, 23, 25, 40, 41, 49, 51, 59**

DAY 20

ID: A

Name: \_\_\_\_\_

**Evaluate the expression.**

14.  $34 - 16 + 7$

15.  $14 + 8 \div 2$

16.  $7 \times 6 + 12 \div 4$

17.  $16 + p = 22$

18.  $42 = d - 35$

19.  $a + 6 = 11$

**Evaluate the expression when  $x = 3$  and  $y = 7$ .**

20.  $6x \div 2 + y$

21.  $y^2 - 2x$

**Find the mean, median, mode(s), and range of the data.**

22. Number of pieces of mail: 4, 8, 6, 2, 0, 3, 7, 5, 8, 2

23. Average inches of rainfall each month: 3, 2, 3, 3, 3, 4, 3, 4, 5, 4, 4, 4

**Write the number as a decimal.**

24. eighty-nine ten thousandths

25. twenty-six and fourteen hundredths

**Write the decimal in words.**

26. 10.362

27. 0.0793

Name: \_\_\_\_\_ Class: \_\_\_\_\_ Date: \_\_\_\_\_ ID: A

**Summer Math Skills for 5th Grade going into 6th Grade (Must Show All Work and Attach Scrap paper for Full Credit)**

Complete the statement with  $<$ ,  $>$ , or  $=$ .

1.  $4.5$  ?  $5.4$
2.  $16.64$  ?  $16.57$
3.  $0.32$  ?  $0.320$

Complete the statement.

4.  $3 \text{ qt } 2 \text{ pt} =$  ?  $\text{ pt}$
5.  $87 \text{ in.} =$  ?  $\text{ yd}$  ?  $\text{ ft}$  ?  $\text{ in.}$

Find the sum, difference, product, or quotient.

6.  $162 \div 6$
7.  $273 - 148$
8.  $37 \times 22$
9.  $407 - 53$
10.  $18 + 294$

Find the value of the power.

11.  $9^3$
12. 6 cubed
13. 14 squared